

TECHNICAL SPECIFICATIONS: ASEPT.2X PLATINUM
MOBILE STERILIZATION UV SYSTEM FOR SURFACES

Description

The ASEPT.2X SYSTEM from SANUVOX suggests using two units simultaneously to promptly sterilize an infected patient or surgical room from all angles, minimizing the problematic shadow areas left by the conventional single unit UV sterilizers. The ASEPT.2X primary and secondary units communicate wirelessly, sterilizing up to 99.9999% of a 22' x 22' room (7m x7m) in 10 minutes. Shorter cycle of disinfection (5) minutes will apply for smaller room dimensions

Electrical

- Power 110V AC, 60Hz, 7.8 Amp per tower (available power 230V 50Hz/60Hz)
- Power consumption 780W (850VA)
- Unit in standby 10W, power factor 0.56

Per unit

- Structure made of stainless steel casing grade 316 and anodized aluminum
- Size: 64.5 in. (164.5cm) H, 28 in. (71.2cm) W, weight 100 lbs. (45.5kg) per unit
- UVC lamps (8) T6 quartz 40 in. (101.6 cm) Teflon covered,
- Ballasts (8) High-intensity 115V (item BST120W5), 230v (item BST230W5)
- Medical type casters: four (4) self-lock, multi-directional
- Circuit breaker : 15 Amp
- Motion detectors (PIR) : four (4) per unit
- Stop/Start buttons : ceramic, backlit

Electronics components

- PLC industrial controller – high performance automation
- WI-FI, 3 antennas, WEB server reachable through any smart electronic device or laptop.
- Memory card 256MB,
- Data logger: uploading through HTML or FTP link

Software

- User-friendly WEB interface- user or administrator
- On board downloadable instructions and video
- Upgradable and customizable

Warranty

- Ballasts: 3 yr., lamps: 1 yr., electronic: 1 yr.

Certification

- CSA field inspected

Accessories included

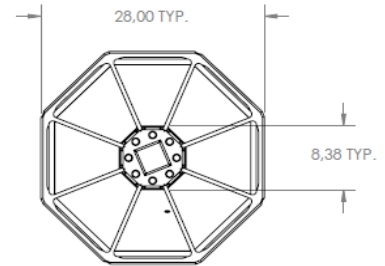
- Android 7 inch pad, already set up
- Caution floor sign/coupler to move the unit together
- Door caution panel (2)

Option

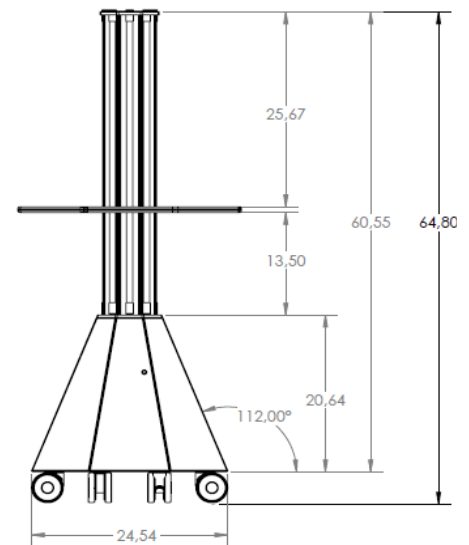
- Protective cover, for storage or transport, 100% polyester, washable & fire retardant- ASTME E-84, NFPA 260 &701, UFAC 1

Operation details

The ASEPT.2X units are sold in pairs, primary and secondary unit, but also as single units. We believe that the two units complement each other to shorten the time necessary to disinfection. The two units can be moved by a single person when using the supplied coupler. In tight space, it is possible to use only the primary unit using the WEB interface. When started, the two units will light up the lamp in sequence of 4 at the time, lowering to a minimum the amperage draw of the electrical outlet (operates on 20 Amp circuit). The on board data logger registers every single cycle, completed or not, for future retrieval and analysis.



Vue de dessus



MODEL	QTY	COMMENTS	PROJECT :	Drawings for <input type="checkbox"/> Information <input type="checkbox"/> Approval
			SITUATION :	
			ARCHITECT :	
			ENGINEER :	
			DATE :	