

Comfort / Titan Series Fluid Warmers



Safety is a priority with Enthermics Series fluid warmers. Ensure fluids are safely warmed to recommended temperatures through the WarmSafe™ zone heating system. WarmRight® technology provides the right temperature for the right product to meet healthcare guidelines for IV and irrigation fluids.

The patient-friendly Comfort Series allows you to put aesthetically pleasing warming units right where they are needed, allowing nurses and aides to maximize their time.

The durable Titan Series, using 201&430 stainless steel, provides years of worry-free service

The lighting inside the warmers softens the patient's room, placing more emphasis on comfort and care.

WarmSafe Zone Heating: Heat is evenly balanced throughout the chamber to provide safe fluid warming.

Convenient: Keep in patient or procedure rooms with this counter top model.

Service: Our worldwide support team is dedicated to providing quality equipment. We walk with you every step of the way to maximize your return on investment.

Glass Door: Energy-efficient coated glass door reflects heat back into the cavity.

Mobile: Optional casters or mobile cart

Made in the USA with a commitment to quality

Warranty: 5-year parts/1-year labor (US/Canada only)

An ISO 13485:2016 certified company

Standard Features

- Windowed door
- Organizational basket
- Epoxy-coated interior surfaces
- Programmable control with temperature lock feature
- Interior lighting with a comforting blue glow
- Temperature management access point
- Four (4) non-skid rubber feet



CAPACITY

- 16** 2.5 ft³ (DC250L/EC250L)
16 (1) Liter bags or 12 (1) liter bottles
- 24** 3.5 ft³ (EC350L -Titan Series only)
24 (1) Liter bags or bottles
- 28** 4.0 ft³ (DC400L/EC400L)
28 (1) Liter bags or 20 (1) liter bottles



TEMPERATURE

- Adjustable temperature range of
- 32°-40°C (90°-104°F) adjustable injection mode
- 32°-66°C (90°-150°F) adjustable irrigation mode
- Accurate temperature
- IRR +0/-1.67°C (-3°F)
- INJ +0/-1.10°C (-2°F)

Comfort Series



DC250L



DC400L

Titan Series



EC250L



EC400L



EC350L

Configurations (select one of each)

Series

- Comfort (DC) Titan (EC)

Size

- 2.5 ft³ 3.5 ft³ (Titan Series only) 4.0 ft³

Door Assembly

- Windowed door (standard) Solid door (Titan Series only)

Door Swing

- Right hinged (standard) Left hinged

Door lock

- No lock (standard) Manual lock

Baskets - Comfort Series

- 2 baskets (standard) 1 basket

Baskets - Titan Series

- 1 basket (standard-EC250L & EC400L)
- 2 baskets (EC250L & EC400L)
- 1 basket and 1 shelf (standard-EC350L)

TempTrak assembly - external transmitter kit 900MHZ - not available on EC/DC400L (US/Canada only)

- No TempTrak (standard) TempTrak

Electrical

- 120V 1PH 220V 1PH 230V 1PH

Accessories (select all that apply)

Bumper and Caster Assembly 3" (76mm) casters, 2 rigid; 2 swivel with Brake; overall height increases by 5" (127mm)

- DC250L (5017546) EC250L or EC350L (5017548)
- DC400L (5017547) EC400L (5017549)

Caster Package with Plate 3" (76mm) casters, 2 rigid; 2 with Brake; overall height increases by 5" (127mm)

- DC250L (5017542) EC250L or EC350L (5017544)
- DC400L (5017543) EC400L (5017545)

Cart, Mobile

- 3.5" (89mm) casters, 2 swivel; 2 swivel with brake (500206); 36.5" (876mm) H x 26" (660mm) W x 26" (660mm) D

Antimicrobial Handle (Titan Series only)

- Cuverro Antimicrobial Handle (HD046356)

Anchorage (4 required)

- Anti-tip bracket (1014403)

Pediatric Label

- Pediatric Label (LA-46988)

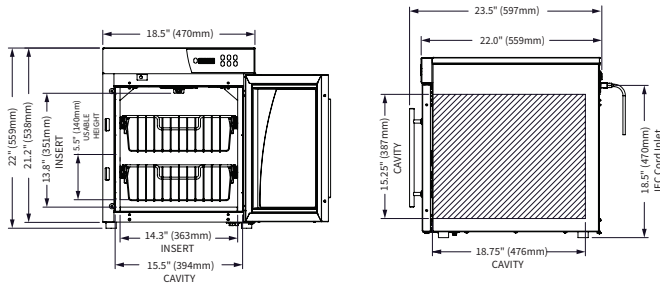
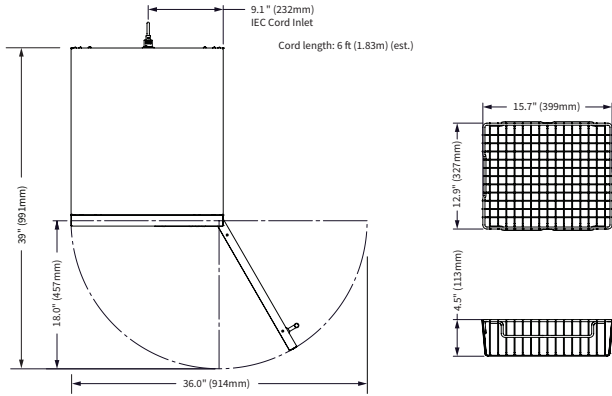
Stacking Kits

It is recommended that fluid warming units be placed at or near the bottom of the stacked configuration whenever possible for maximum stability - not available with casters

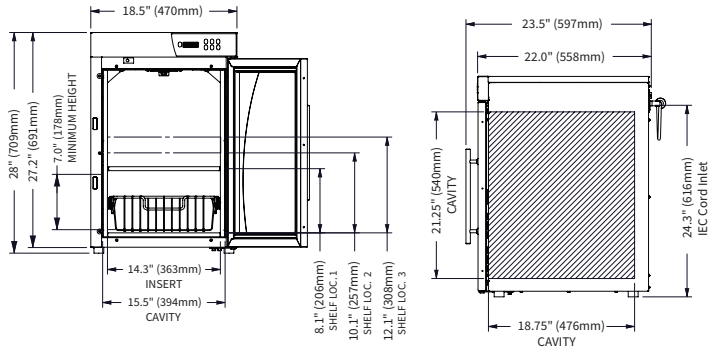
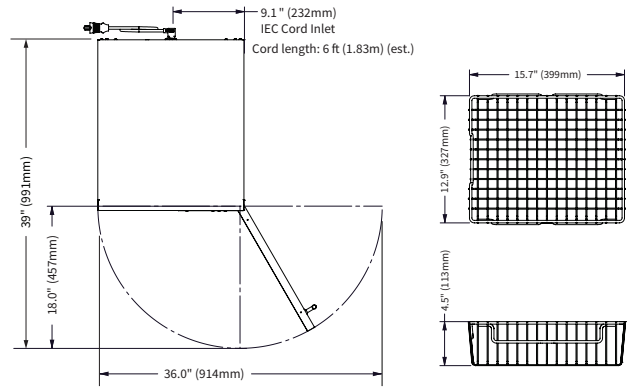
- DC250L double-stacked or under DC250 or DC350 (5013021)
- DC400L double-stacked (5013024)
- EC250L or EC350L double-stacked or under EC250 or EC350 (5017272)
- EC400L double-stacked (5017273)

Comfort/Titan Series Fluid Warmers

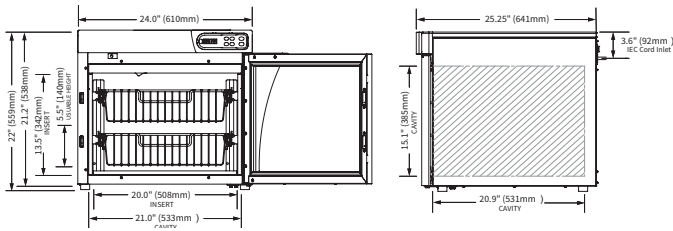
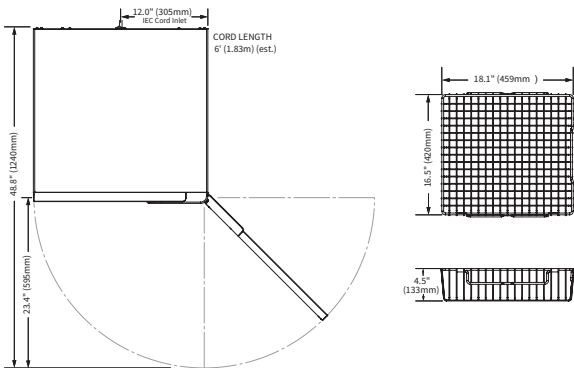
EC/DC250L



EC350L



EC/DC400L



Comfort/Titan Series Fluid Warmers



Specification



Top: 1"
Left: 1"
Right: 1"
Back: 3"

CLEARANCE



DIMENSIONS

Model	Exterior (H x W x D)	Interior (H x W x D)	Net Weight
DC250L	22"(559mm) x 18.5"(470mm) x 22.0"(559mm)	15.25"(387mm) x 15.5"(394mm) x 18.75"(476mm)	67 lbs (30 kg)
EC250L	22"(559mm) x 18.5"(470mm) x 23.5"(597mm)	15.25"(387mm) x 15.5"(394mm) x 18.75"(476mm)	67 lbs (30 kg)
EC350L	28"(711mm) x 18.5"(470mm) x 23.5" (597mm)	21.25"(540mm) x 15.5"(394mm) x 18.75"(476 mm)	91 lbs (41 kg)
DC400L	22"(559mm) x 24.0"(610mm) x 24.3" (617mm)	15.25"(387mm) x 21.0"(533mm) x 21.75"(552 mm)	100 lbs (45 kg)
EC400L	22"(559mm) x 24.0"(610mm) x 25.75" (654mm)	15.25"(387mm) x 21.0"(533mm) x 21.75"(552 mm)	100 lbs (45 kg)

	Ship Dimensions (L x W x H)*	Ship Weight*
EC/DC250L	35" x 23" x 30"	116 lbs
EC350L	35" x 23" x 42"	144 lbs
EC/DC400L	31" x 31" x 32"	158 lbs

*Domestic ground shipping information. Contact factory for export weight and dimensions.



ELECTRIC

	V	Ph	Hz	A	kW	Plug Configuration
EC/DC250L	120	1	60	3.7	0.44	NEMA 5-15P; 15A 125V Plug; Hospital Grade
	220	1	50/60	2.0	0.44	CEE 7/7 220-230V Plug
	230	1	50/60	1.9	0.44	BS 1363 Plug; CEE 7/7 220-230V Plug
EC350L	120	1	60	3.7	0.44	NEMA 5-15P; 15A 125V Plug; Hospital Grade
	220	1	50/60	2.0	0.44	CEE 7/7 220-230V Plug
	230	1	50/60	1.9	0.44	BS 1363 Plug; CEE 7/7 220-230V Plug
EC/DC400L	120	1	60	5.8	0.7	NEMA 5-15P; 15A 125V Plug; Hospital Grade
	220	1	50/60	3.1	0.7	CEE 7/7 220-230V Plug
	230	1	50/60	3.0	0.7	BS 1363 Plug; CEE 7/7 220-230V Plug

*Other international plugs are available, contact the manufacturer for more information.

**Electrical connections must meet all applicable federal, state and local codes.



IPX-0

CONTACT US

W164 N9221 Water Street | Menomonee Falls, Wisconsin 53051 | U.S.A.
 Phone: 262.251.8356 | 800.862.9276 | Fax: 262.251.7067 | enthermics.com