



Be at your patient's bedside, wherever you are.

Sony's MD2GO™ remote HD IP camera system lets you communicate in real time with HD video anywhere, anytime.

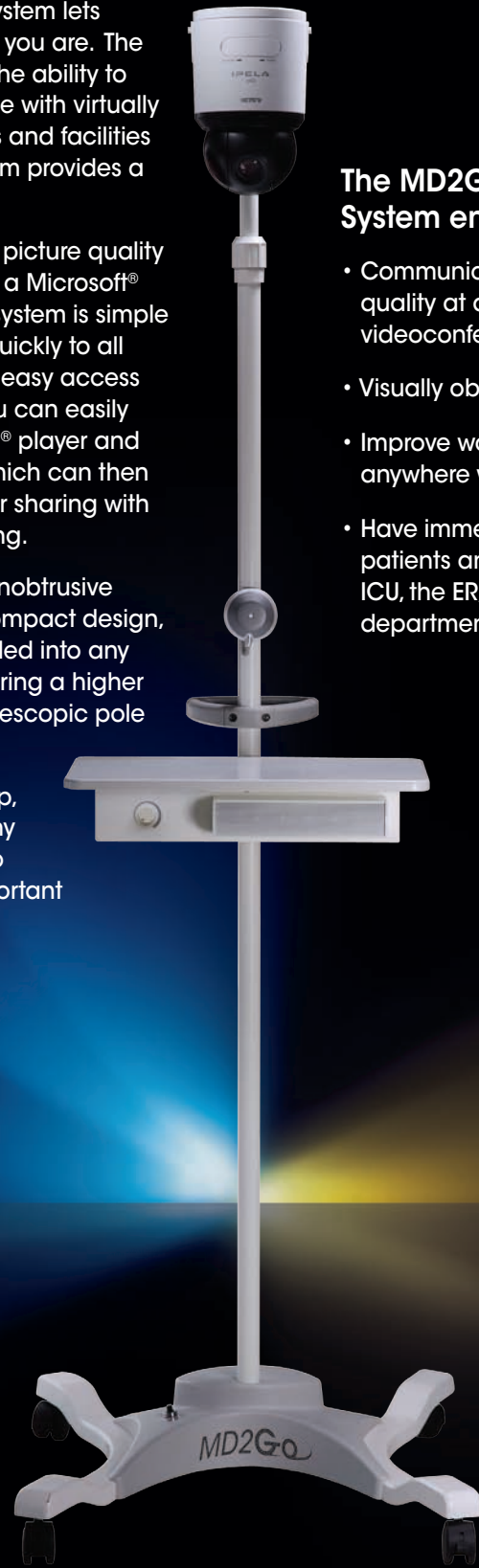
With Sony's MD2GO remote HD IP camera system, doctors can be on call without being on site.

Sony's MD2GO Remote IP HD camera system lets you be at a patient's bedside, wherever you are. The system's built-in wireless card provides the ability to communicate almost anywhere, anytime with virtually seamless transmission. And for hospitals and facilities not yet wireless-ready, the MD2GO system provides a convenient Ethernet port.

Equipped with a 10x HD lens for superb picture quality and controlled right from your PC using a Microsoft® Internet Explorer® browser, the MD2GO system is simple and easy to use. The system responds quickly to all of your commands, giving you fast and easy access to the images you need. In addition, you can easily play back videos using Windows Media® player and record HD video and stills to your PC, which can then be used in PowerPoint® presentations for sharing with colleagues and for teaching and training.

The MD2GO system is designed to be unobtrusive and flexible. Thanks to its lightweight, compact design, the MD2GO system can be easily wheeled into any room in the hospital. For situations requiring a higher camera position, we also included a telescopic pole that extends up to 87 inches.

If you want to hear a whisper or pin drop, we thought of that too. The sensitive Sony PCSA-1 microphone and two-way audio communications capture all of the important conversations with crisp, clear detail.



The MD2GO Remote HD IP Camera System enables physicians to:

- Communicate in real time with superb HD quality at a fraction of the cost of traditional videoconferencing systems
- Visually observe a situation in real time
- Improve workflow by having remote access anywhere with an internet connection
- Have immediate visual and auditory access to patients and/or diagnostic equipment in the ICU, the ER, the OR, a patient's room, and other departments of the hospital

"The MD2GO system brings reliable, flexible video alongside the physician, from clinic to procedure room to OR."

Frank N. Schleicher
IT Director, Department of Surgery
Northwestern University Medical Center

"MD2GO can expedite clinical care with real-time HD clarity better than the human eye."

Michael A. Goldfarb M.D., F.A.C.S.
Chairman and Program Director
Department of Surgery
Monmouth Medical Center

With Sony's MD2GO system, healthcare on demand becomes a reality, helping hospitals improve workflow by providing remote access anywhere within the network and empowering physicians to visually observe medical situations from an offsite location and communicate in real time with true HD quality video and two-way audio.

With the MD2GO system on site, you don't have to be.



It's 2:00 a.m. at a major metropolitan hospital.

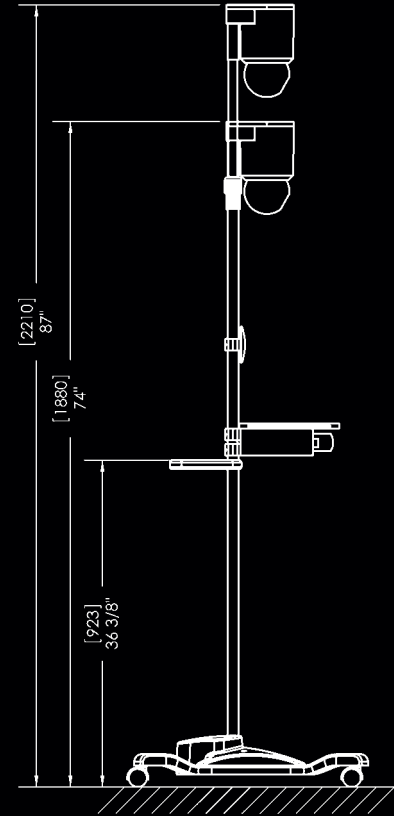
One of the residents urgently needs to consult with the on-call physician, who is at home. A telephone conversation cannot sufficiently communicate the situation. A visual consultation is needed. In the past, the physician would have had no choice but to drive to the hospital as quickly as possible for consultation.

The future of remote healthcare is available today with Sony's MD2GO system.

Superb, real time HD video and audio communication is now a reality that is accessible from a PC laptop, a simple interface and an Internet connection. By controlling the camera with just a few clicks of the mouse, the physician can see the patient, almost as if he or she were right at the bedside. With the capability to zoom in 10x for a close-up of the patient or diagnostic equipment, the doctor can quickly assess the situation and respond appropriately.

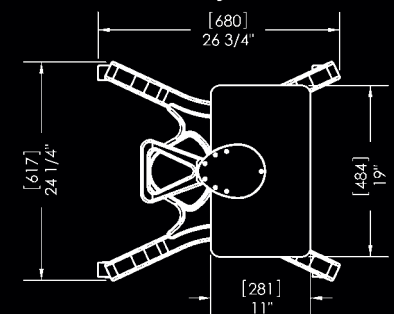
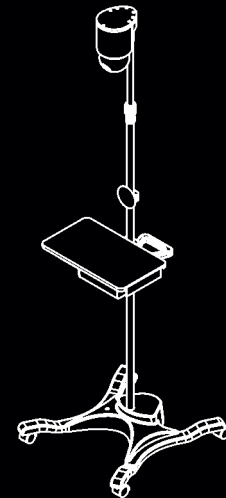
SNC-RH124 Camera Specifications

| Camera Specifications | Detail |
|------------------------------------|--|
| IP/Analog | IP |
| Camera Type | HD Network Rapid Dome Camera |
| Type | Indoor 10x Optical Zoom |
| Image Device | HD CMOS |
| Effective Pixels | Approximately 2 Megapixel |
| Focal Length | f=5.1 to 51mm, 10X |
| Image Specifications | Detail |
| Image Size | 1280 x 720, 1024 x 576, 800 x 480, 768 x 576, 640 x 480, 384 x 288, 320 x 240, 320 x 180 |
| Compression Format | H.264, MPEG-4, JPEG |
| Frame Rate | H264/MPEG-4: 30 fps (1280 x 720) JPEG: 10 fps (1280 x 720) (Tentative) |
| Interface Specifications | Detail |
| Interface | 10BASE-T / 100BASE-TX (RJ-45) |
| Network Specifications | Detail |
| Protocols | IPv4, IPv6, TCP/IP, ARP, ICMP, HTTP, FTP (client/server) SMTP, DHCP, DNS, NTP, RTP/RTCP, SNMP (MIB-2) |
| Number of Clients | 10 |
| Authentication | IEEE802.1X |
| System Requirements Specifications | Detail |
| Operating System | Windows XP, Windows Vista |
| Processor | CPU: Core2 Duo 2GHz or higher |
| Memory | 1GB or more |
| Web Browser | Microsoft Internet Explorer Ver 6.0, Ver 7.0 |

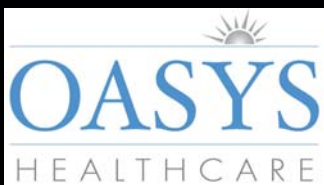


MD2GO Cart Specifications

| Technical Data | Detail |
|-----------------------------|--|
| Weight | 31 lbs |
| Max. Camera Load Capacity | 15 lbs |
| Telescoping Height Range | 74 to 87 inches |
| Max. Camera Size (Diameter) | 6.075 inches |
| Electrical | 100-240V AC, 50-60 Hz, 60 Watts |
| Safety Factor | 4-times pay load towards the yield strength according to EN60601 |
| Color | 2 colors: RAL 9010 Pure White - Gray |



Distributed By OASYS Healthcare
 Phone: (905) 852-3399
 Fax: (905) 852-3323
 sales@oasyshealthcare.com
 www.oasyshealthcare.com



©2010 Sony Electronics Inc. All rights reserved. Reproduction in whole or in part without written permission is prohibited. Features and specifications subject to change without notice. Sony, MD2GO, "make.believe" and their respective logos are trademarks of Sony. Microsoft, Internet Explorer, PowerPoint and Windows Media are trademarks of Microsoft Corporation.

CAUTION: Federal (USA) law restricts this device to sale by or on the order of a physician or other appropriately licensed medical professional. CAUTION: See product labeling for indications, contraindications, warnings, cautions, and directions for use.