



EC340

Blanket Warming Cabinet

3.4 ft³ (0.1m³) interior capacity

Glass door



Shown with optional
full-perimeter rubber bumper

37-94°C (98-200°F) range

Deluxe electronic control

24-hour timer
(single programmable "off" period)

Plastic-coated interior surfaces

 **ENTHERMICS**
Medical Systems

www.enthermics.com

*Experience the Entermics difference:
Quality beyond comfort.*

EC340 Blanket Warming Cabinet

Specifications:

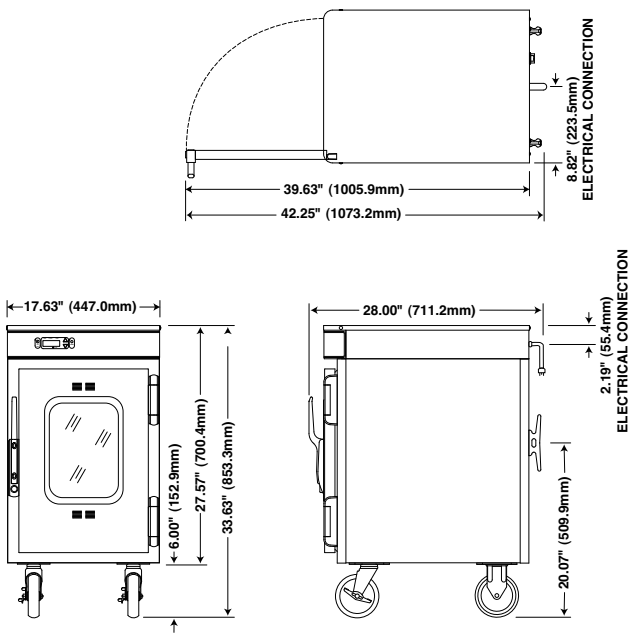
The single-chambered warming cabinet is constructed with 20 gauge stainless steel exterior casing and doors. Window door allows observation of inventory with the door closed. The cabinet is warmed using a low-heat-density electrothermal cable array mounted against the walls, eliminating the need for a heat circulating fan. The cabinet is equipped with one (1) white, epoxy-coated blanket support assembly and one (1) center shelf. The cabinet is furnished with one (1) set of 5" (127mm) heavy duty casters, two with locking brake.

Special Information:

- Right-hand door swing is standard. Left-hand door is available as a special order.
- Stacking combinations listed under Options and Accessories. When ordering a combination of units to stack:
 - 1.) Indicate top and bottom placement.
 - 2.) Order one set of stacking hardware.

Control:

The chamber is controlled by one (1) electronic control which consists of a four digit L.E.D. display, on/off key, heat indicator L.E.D., increase and decrease keys, built-in lock-out feature and a series of prompt sequence indicators. The electronic control can easily be set to operate in Fahrenheit or Celsius and has an adjustable temperature range of 37 - 94°C (98 - 200°F). Timer key allows the user to program the control to automatically turn on and off once at a selected time during a 24 hour period. In the event of a power failure, the cabinet will remember its programming and begin to operate as before when power is restored. A warming shut-off system, separate from the electronic control, prevents overheating.



Capacity and Weights		
Interior Capacity	3.4 cubic feet (c. 0.1m ³)	
Net Weight	128 lb (58 kg)	
Ship Weight	190 lb (86 kg) est.	
Electrical		
120 V.A.C. 50/60 Hz, 1ph 700 Watts, 6.0 Amps	NEMA 5-15P 15A - 125V Plug Hospital Grade	UL US ETC
230 V.A.C. 50/60 Hz, 1ph 650 Watts, 3.0 Amps	BS 1363 Plug (UK only)	CE
	CEE 7/7 220-230V Plug	ETC
Options and Accessories		
Full-perimeter Rubber Bumper Assembly	44094	
Leg Kit, 6" (152mm)	44093	
Stacking Hardware		
EC340 over EC340	5005605	
EC340 over EC340ℓ	5008782	
Window Door Assembly, Left Hand	E5060	
*Bumper assembly 44094 should be ordered for lower unit used in stacking		



**ENTHERMICS
Medical Systems**
www.enthermics.com

W164 N9221 Water Street • PO Box 443
Menomonee Falls, WI 53052-0443
Phone 262.251.8356 • 800.862.9276
Fax 262.251.7067
Email generalinfo@enthermics.com